

LIFTKAR[®] MTK

POWERED STAIRCLIMBER



CUSTOMERS EXPLODED VIEWS – SPAREPARTS LIST



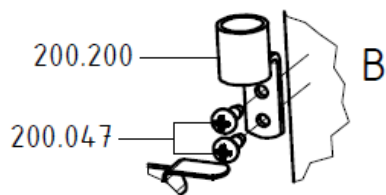
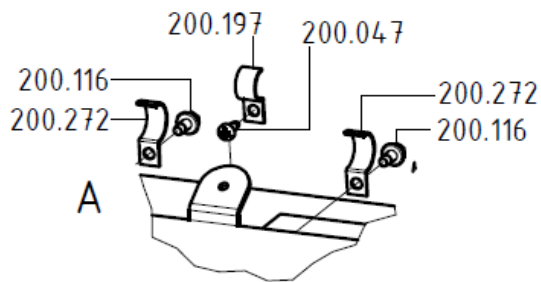
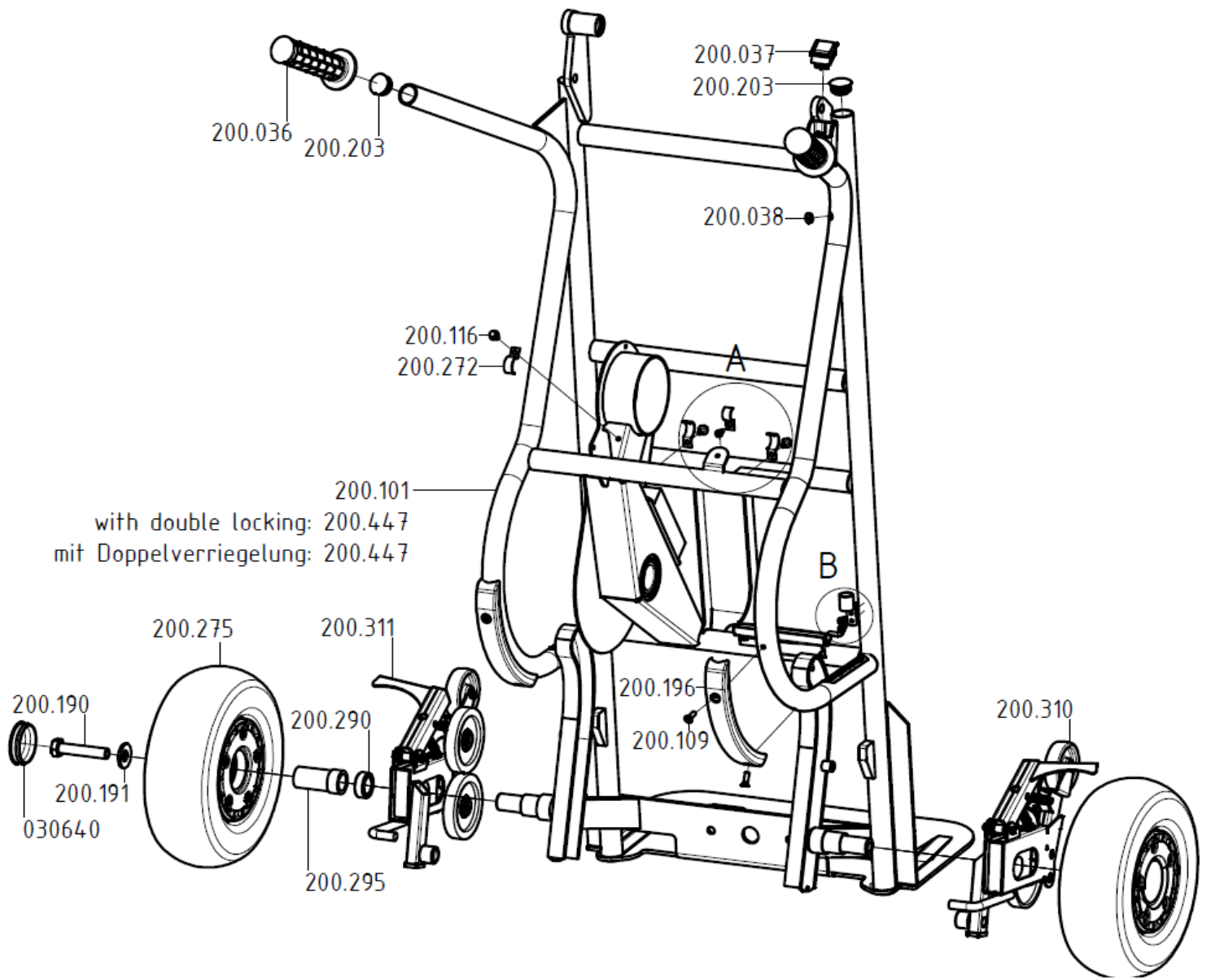
STAND / ISSUED: 03/2020
SUBJECT TO UPDATES.

SANO 
makes work easier.

CONTENTS

Main Frame	3
Upper Handle	5
Pivot handle – single locking	6
Pivot handle – double locking	7
Inner Frame	8
Motor/ Crank/ Chain/ Clutch MTK 310	9
Motor/ Crank/ Chain/ Clutch MTK 190	10
Brakes	17 - 13
Pneumatic Wheel	14
Puncture Proof Wheel (Accessory)	15
Electronic Power switch/ Battery/ Crankshaft bolt etc.	16
Battery (breakdown)	17 & 18
Motor Cover	19
Harnesses	20
Motors	21
Models & Accessories	22

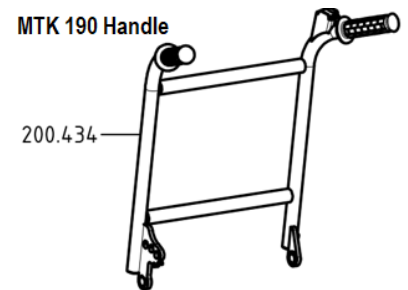
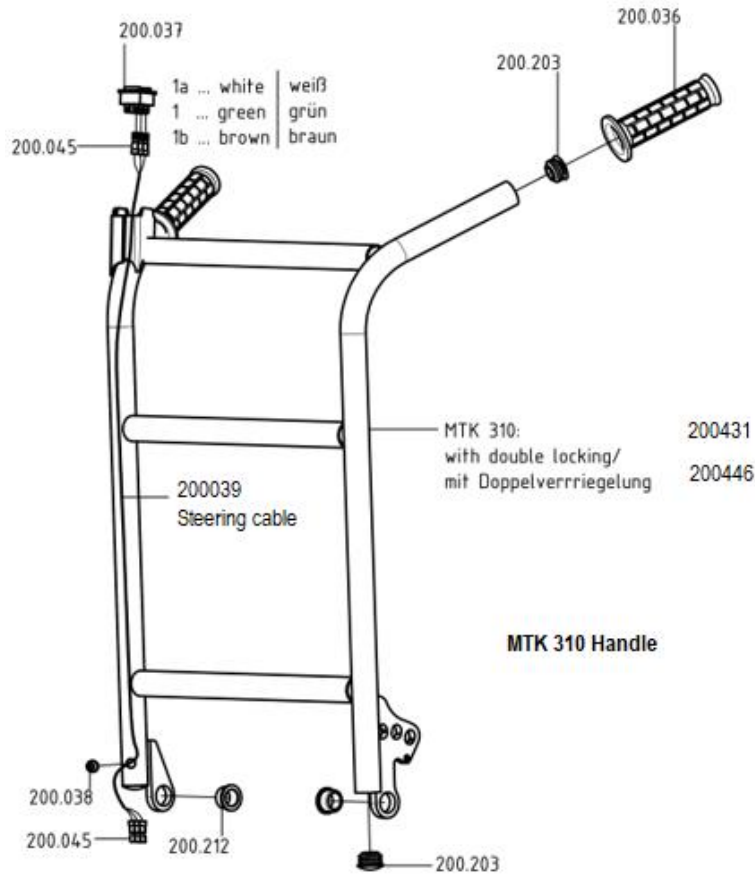
INTENTIONALLY BLANK



Main frame
Rahmen Unterteil

PART NUMBER	DESCRIPTION	NOTES
030640	Hub cap	
200036	Hand grip	
200037	Up/ down switch	
200038	Grommet	
200047 or 200271	Screw	NON/STOCK
200101	MTK Basic frame	
200109 or 200337	Screw	
200116	Screw	
200190	Wheel Bolt (long)	
200191	Washer	
200196	Sliding part	
200197	Main harness clip	
200200	Plug retainer	
200203	Dust cover cap	
200271	Screw with Washer	NON/STOCK
200272	Harness clip	
200275	Pneumatic wheel	
200290	Wheel shaft (brakes)	
200295	Wheel spacer (brakes)	
200311	Left Brake	
200310	Right Brake	
200447	MTK frame with double locking (Special order)	NON/STOCK

MTK 310 HANDLE

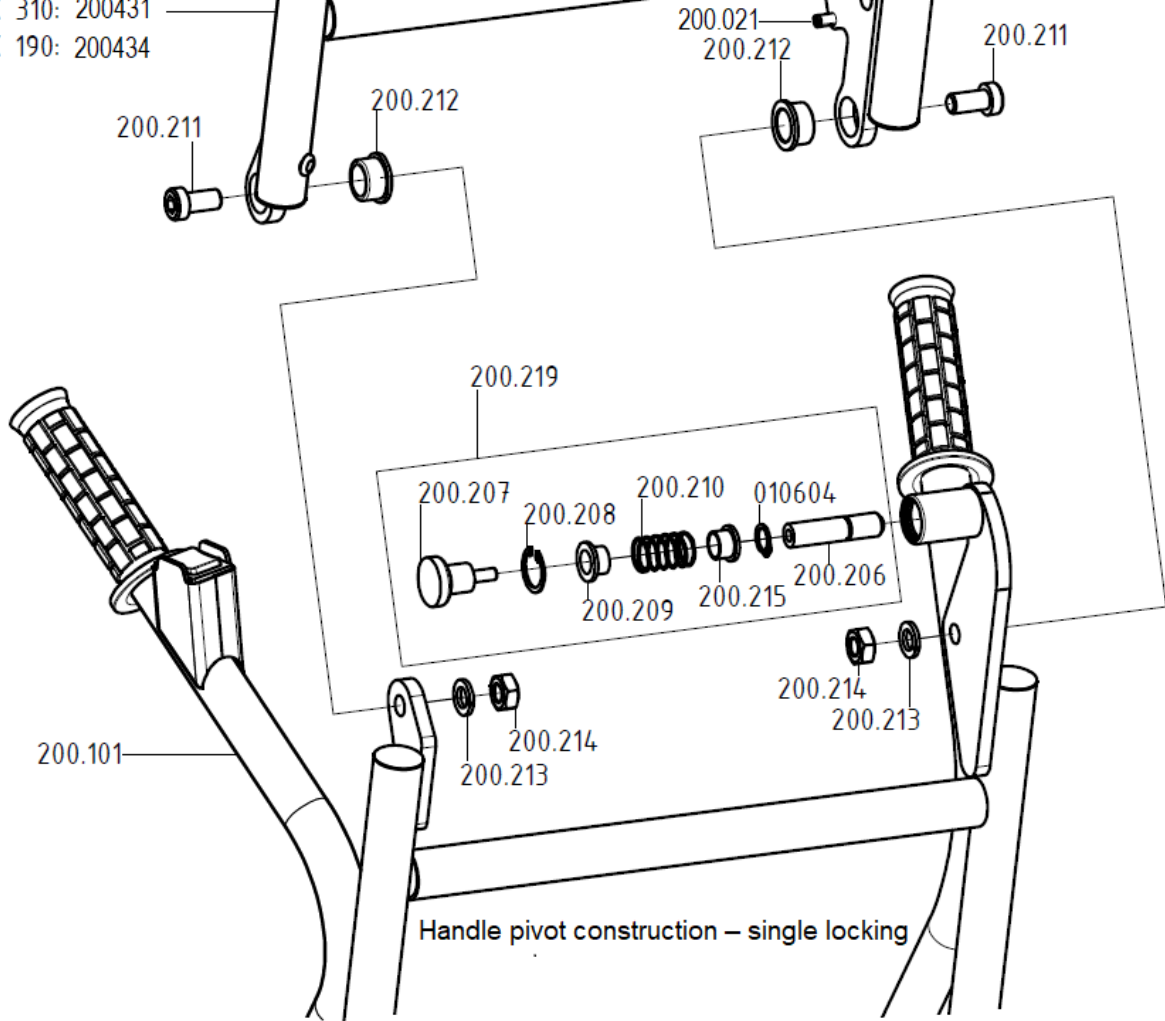


MTK 190 HANDLE

PART NUMBER	DESCRIPTION	NOTES
200045	Crimp Terminals	NON/STOCK
200212	Bearing shaft	
200429 use 200039	MTK Steering Cable	
200431 was 200224	MTK 310 top handle	
200433 use 200039	MTK Steering cable	
200434 was 200175	MTK 190 top handle	
200446	MTK Top Handle Double Locking (Special Order)	NON/STOCK

STANDARD

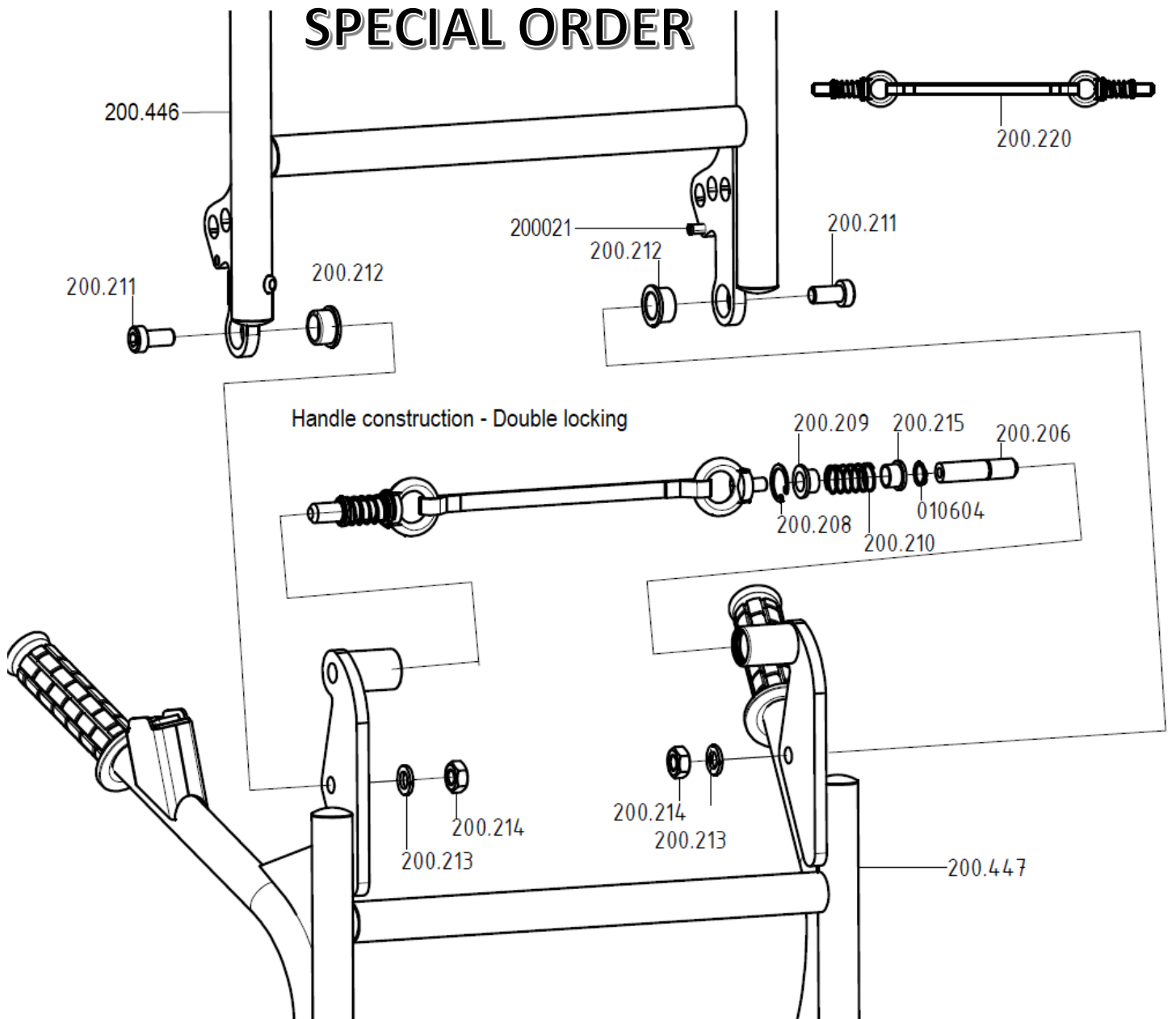
MTK 310: 200431
 MTK 190: 200434



Handle pivot construction – single locking

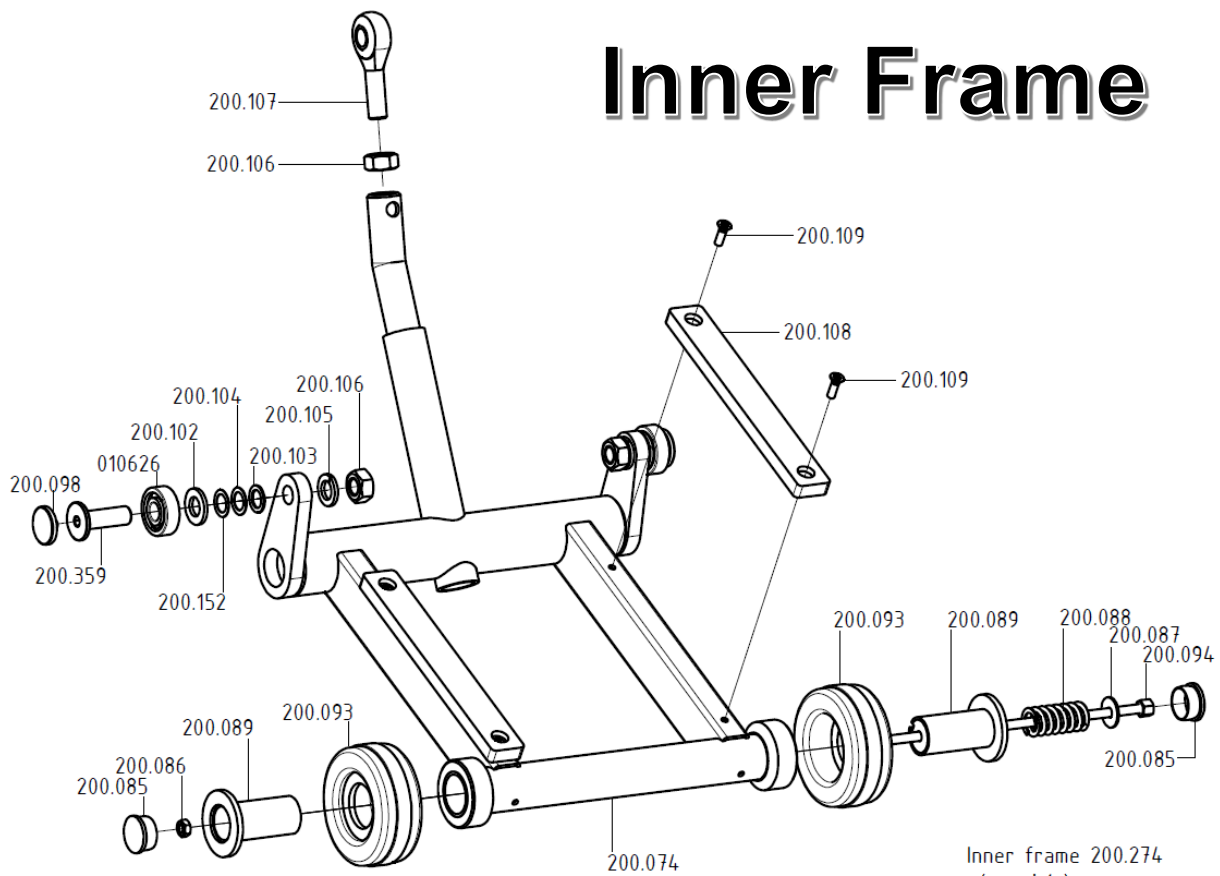
PART NUMBER	DESCRIPTION	NOTES
010604	Circlip A12	
200021	Expansion pin	NON/STOCK
200101	Main frame	
200206	Bolt d12 (plunger)	USE 200219
200207	Knob	
200208	Circlip 22	
200209	Bush Ø12	
200210	Spring for lock bolt	
200211	Bolt M10 20	
200212	Pivot handle bush	
200213	Spring washer	
200214	Nut	
200215	Bearing shaft	
200219	Plunger kit	

SPECIAL ORDER



PART NUMBER	DESCRIPTION	NOTES
010604	Circlip A12	NON/STOCK
200206	Bolt d12(plunger)	USE 200220
200208	Circlip 22	
200209	Bush Ø12	
200210	Spring for lock bolt	
200211	Bolt M10 20	
200212	Pivot handle bush	
200213	Spring washer	
200214	Nut	
200215	Bearing shaft	
200220	Belt strap MTK Double locking	NON/STOCK
200446	Handle long with Double locking	NON/STOCK
200447	Main frame MTK - Double locking	NON/STOCK

Inner Frame

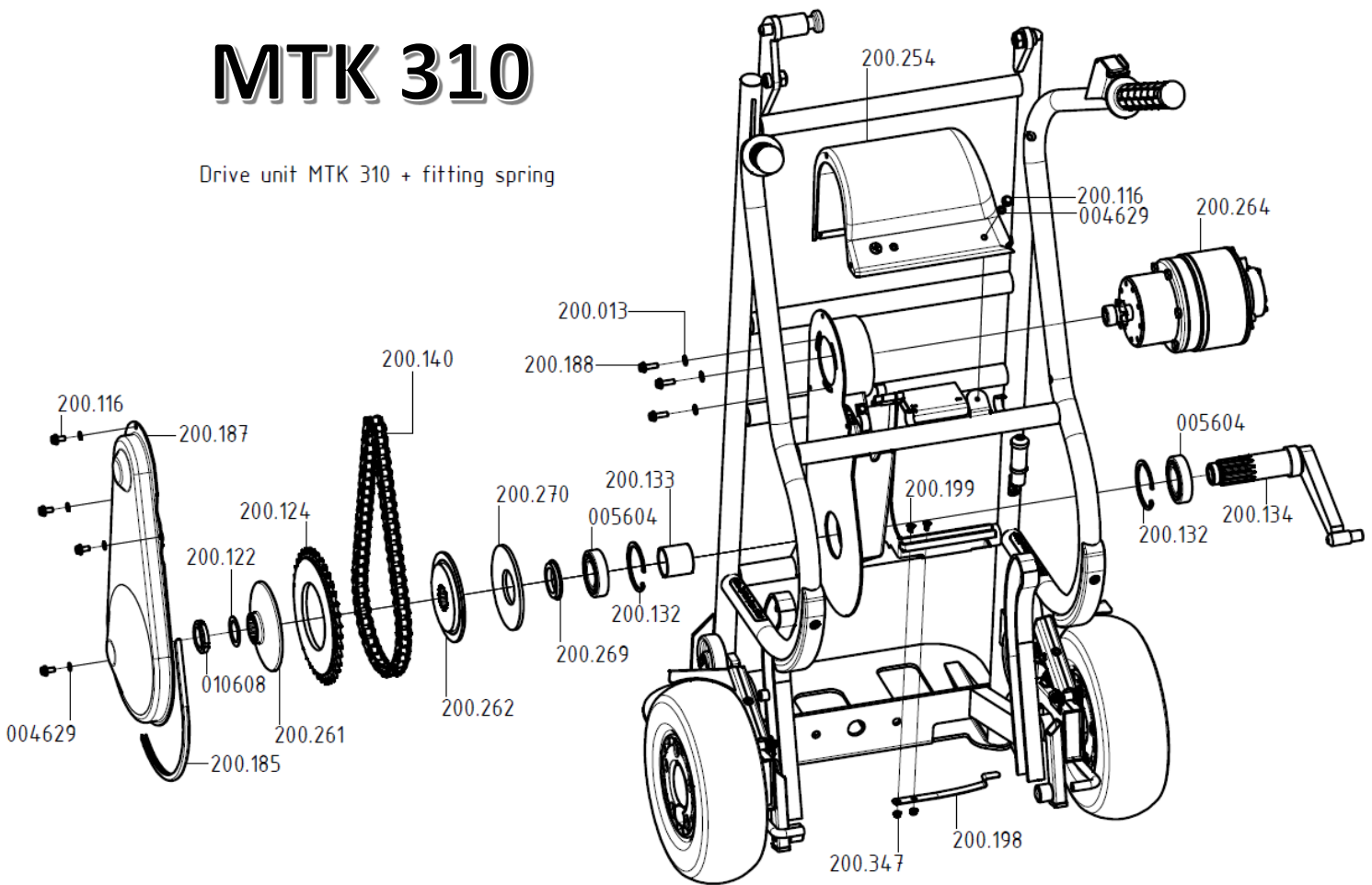


Inner frame 200.274
(complete)

PART NUMBER	DESCRIPTION	NOTES
010626 or 200364	Bearing	
200074	Inner frame (bare)	
200085	Plug	
200086	Nut	
200087	Washer	
200088	Spring	
200089	Sleeve	
200093	Support Wheel	
200094	Bolt	
200098	Sliding disc	
200102	Washer	
200103	Shim 1mm	
200104	Shim 0.5mm	
200105	Spring Washer	
200106	Nut m12	
200107	Rod end	
200108	Gliding part	
200152	Shim 0.2mm	
200274	Inner frame complete	
200337 or 200109	Screw	
200359	Bolt for inner frame	

MTK 310

Drive unit MTK 310 + fitting spring

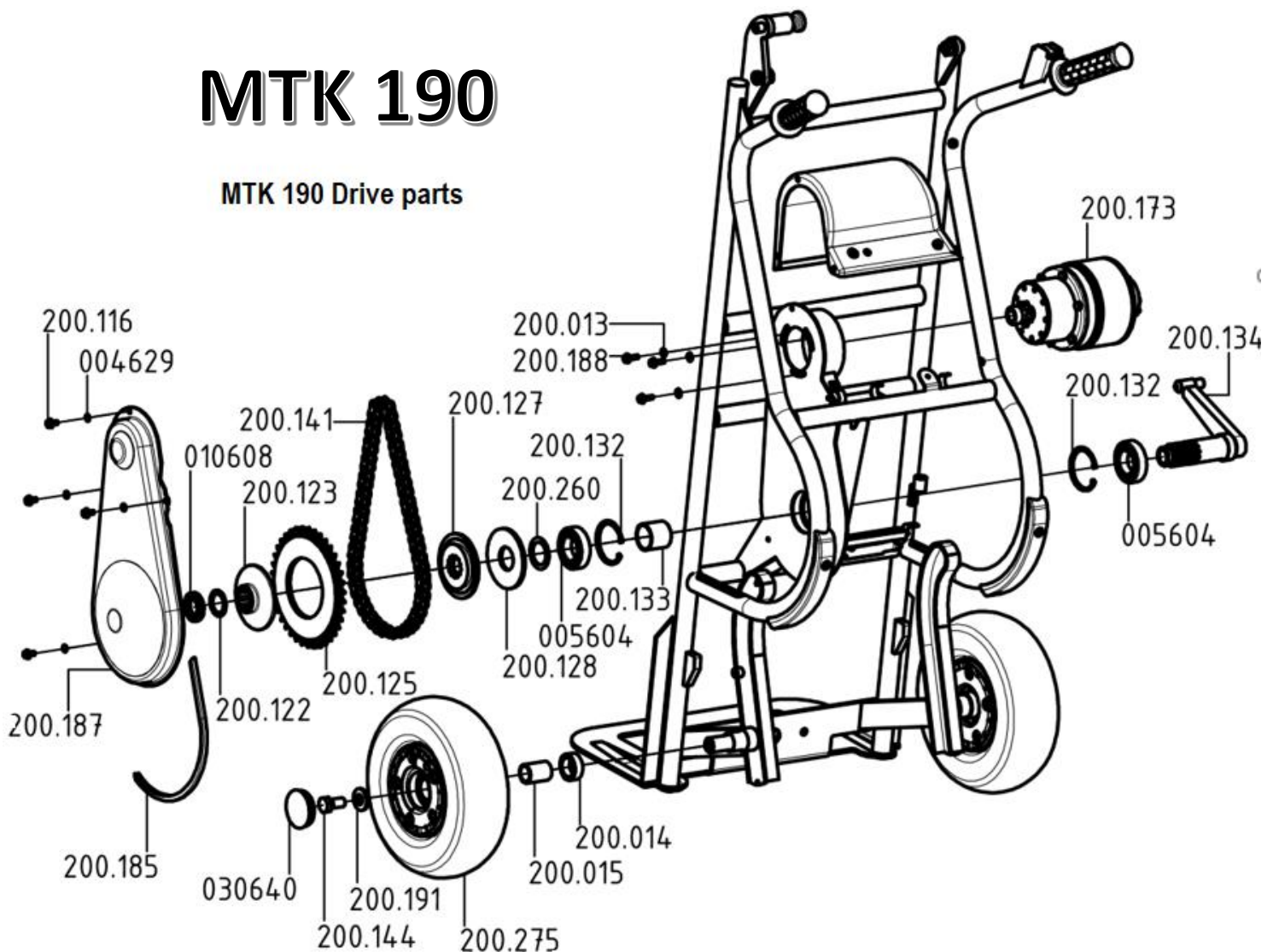


PART NUMBER	DESCRIPTION	NOTES
010608	Nut KM5 (190 & 310)	
004629	Washer (190 & 310)	NON/STOCK
005604	Bearing (190 & 310)	
200013	Washer (190 & 310)	
200116	Screw m5x10 (190 & 310)	
200122	Disc (190 & 310)	
200124	Chain wheel <u>MTK 310</u>	
200132	Circlip (190 & 310)	
200133	Bush (190 & 310)	
200134	Crankshaft (190 & 310)	
200140	Chain <u>MTK 310</u>	
200185	Edge protection (190 & 310)	
200187	Chain protection (190 & 310)	
200188	Motor fixing bolt (190 & 310)	
200198	Holding spring (190 & 310)	
200199	Countersunk bolt (190 & 310)	
200347	Nut m4 (190 & 310)	
200254	Motor cover (190 & 310)	
200261	Sliding disc external <u>MTK 310</u>	

200262	Sliding disc internal <u>MTK 310</u>	
200264	Drive Motor <u>MTK 310</u>	
200269	Washer (collar) <u>MTK 310</u>	
200270	Disc spring <u>MTK 310</u>	

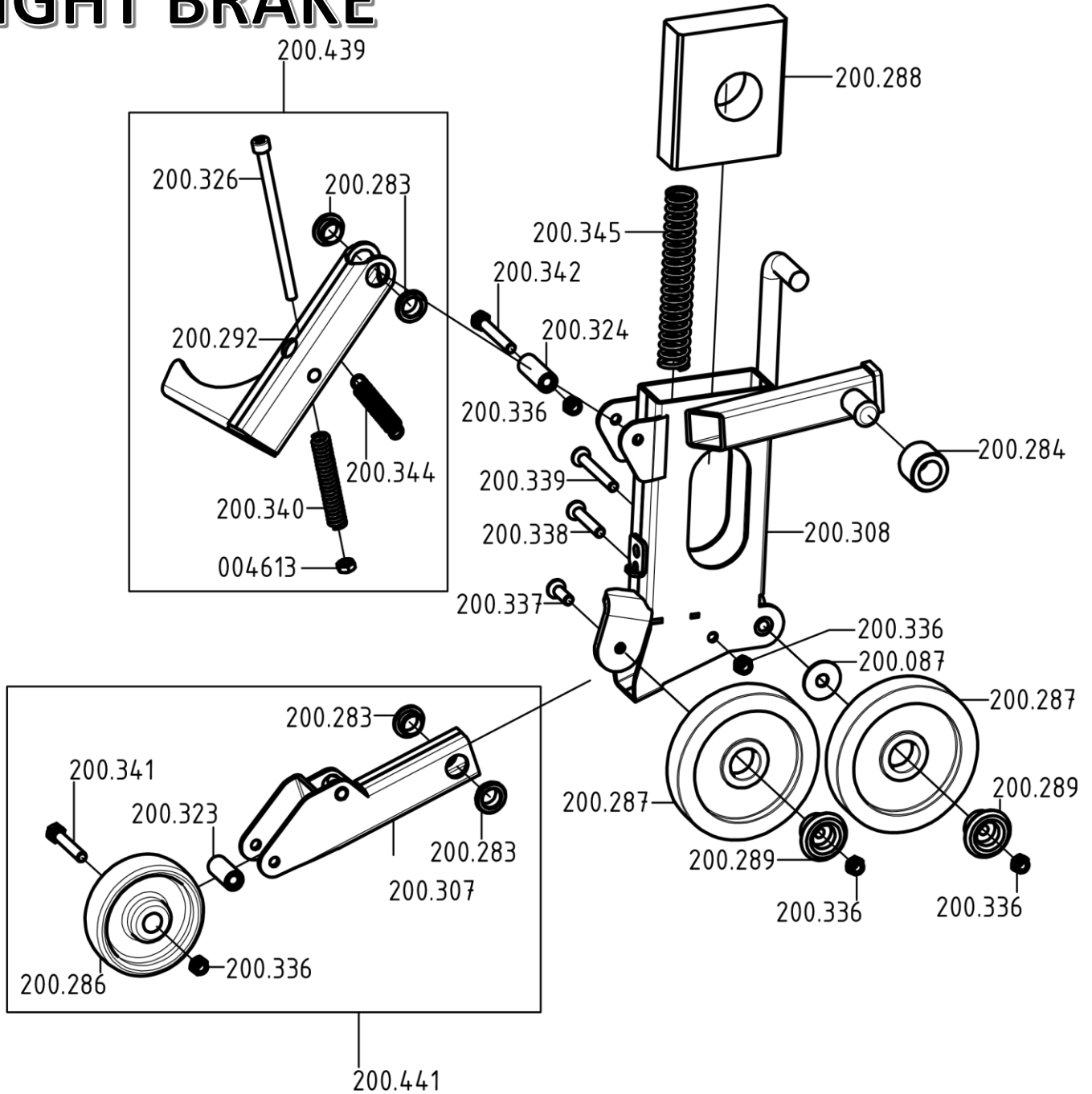
MTK 190

MTK 190 Drive parts



PART NUMBER	DESCRIPTION	NOTES
200014	Spacer ring (no brakes)	
200015	Wheel shaft (no brake)	
200123	Sliding disc external <u>MTK190</u>	
200173	Drive motor <u>MTK190</u>	
200125	Chain wheel <u>MTK190</u>	
200127	Sliding disc internal <u>MTK190</u>	
200128	Disc spring <u>MTK190</u>	
200141	Chain <u>MTK190</u>	
200144	Wheel bolt (no brakes/ MTK 190)	
200260	Washer (usually) <u>MTK190</u>	

RIGHT BRAKE

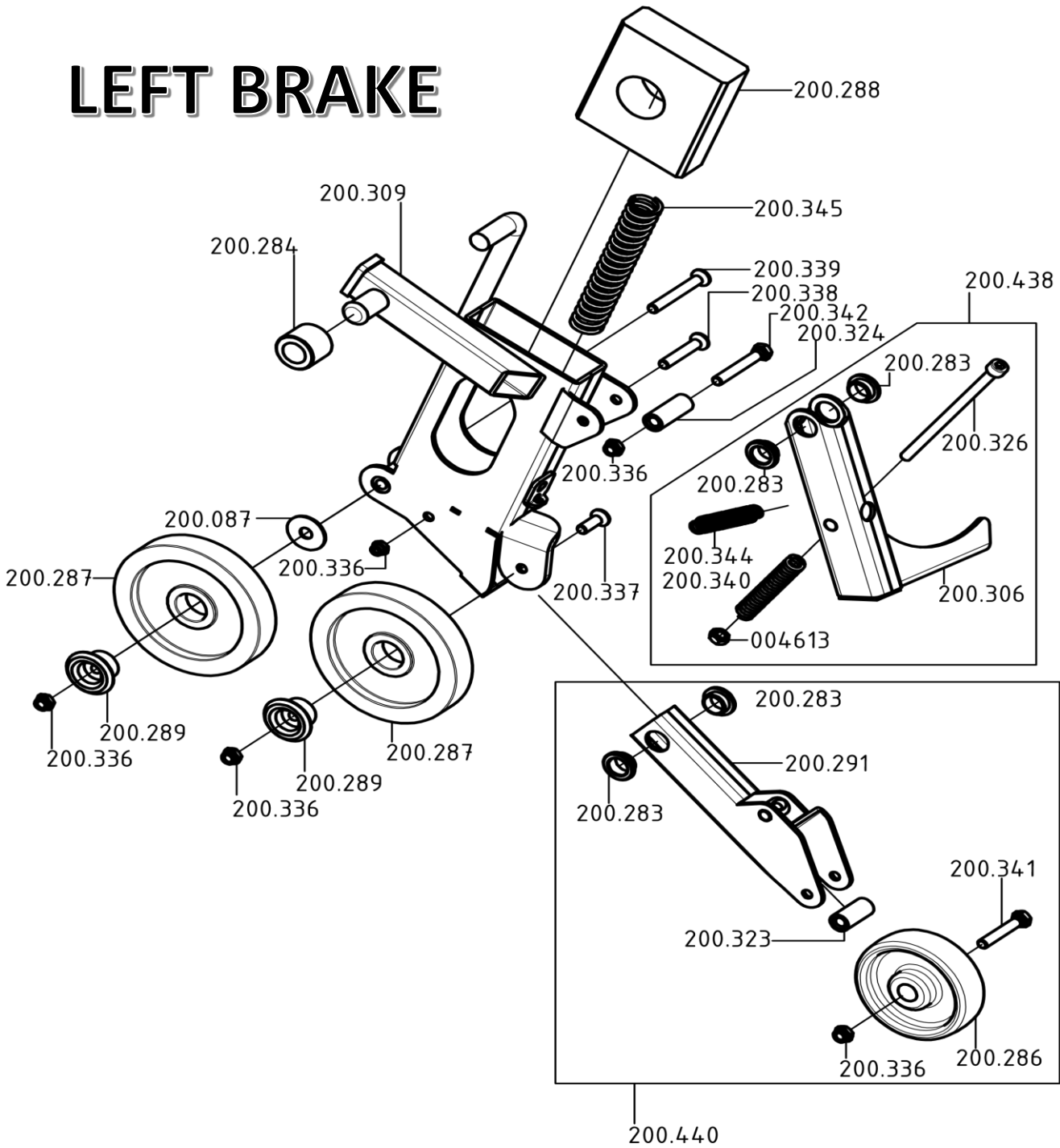


BRAKE RIGHT SIDE (MAIN PARTS)

***N/STK BRAKE PARTS – SEPARATE PARTS ARE KEPT IN STOCK ONLY**

PART NUMBER	DESCRIPTION	NOTES
200292	Brake hook right side	
200308	Brake housing right	NON/STOCK
200310	Brake Right complete	
200439	Brake hook Right complete	NON/STOCK
200441*	Holder brake sensor (R) complete	NON/STOCK

LEFT BRAKE



BRAKE LEFT SIDE (MAIN PARTS)

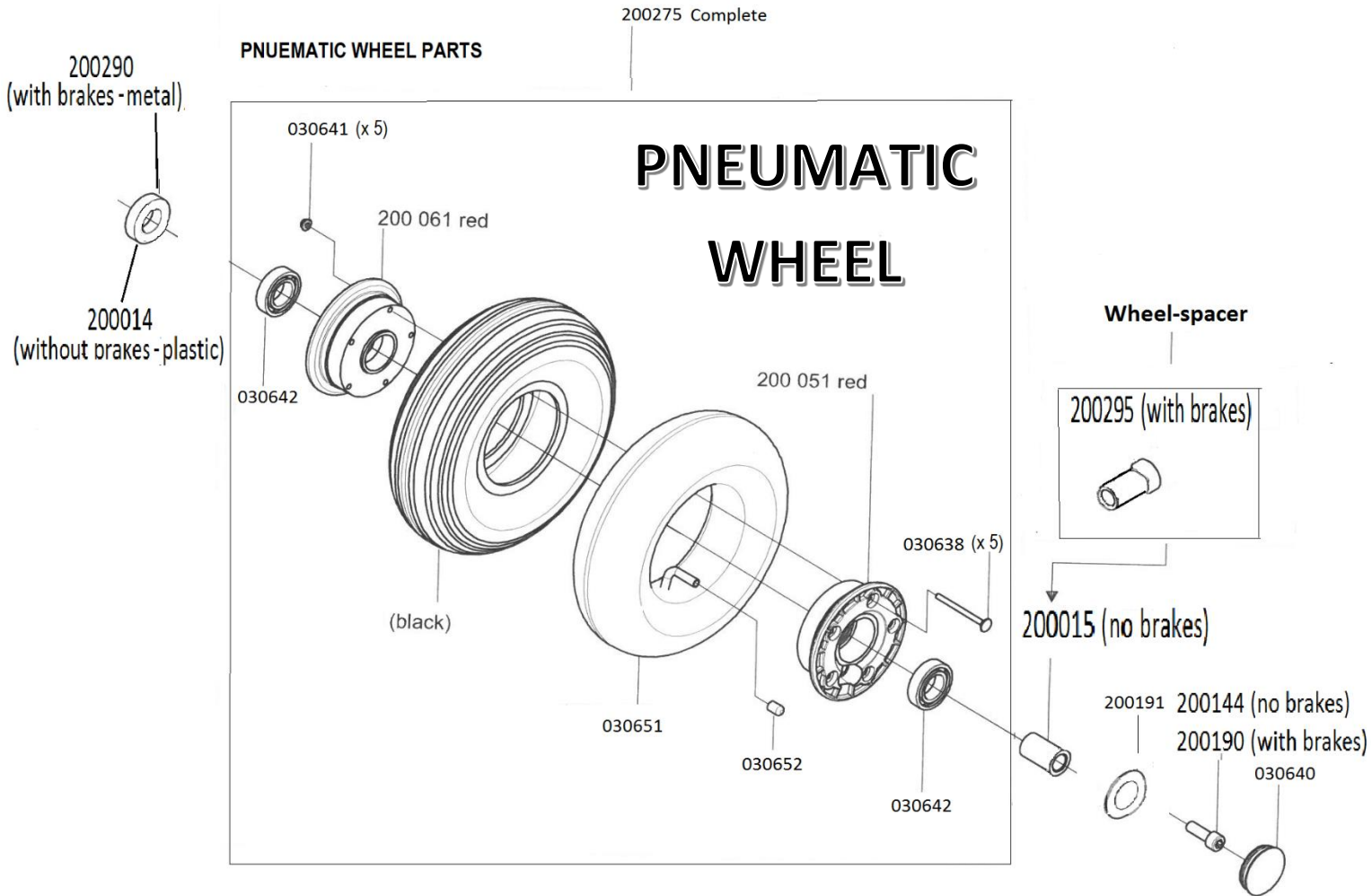
***N/STK BRAKE PARTS – SEPARATE PARTS ARE KEPT IN STOCK ONLY**

PART NUMBER	DESCRIPTION	NOTES
200306	Brake hook left side	
200309	Brake housing Left	NON/STOCK
200311	Brake left hand complete	
200438	Brake hook left complete	NON/STOCK
200440*	Holder Brake sensor (L) complete	NON/STOCK

BRAKE PARTS LIST

PART NUMBER	DESCRIPTION	NOTES
004613	Nut	
200087	Washer	
200283	Bush	
200284	Bush for Brake	
200286	Brake wheel Ø60	
200287	Brake wheel Ø80	
200288	Sliding part (Brake block)	
200289	Axle	
200291	Left sensor wheel holder	
200292	Brake hook right side	
200306	Brake hook left side	
200307	Right sensor wheel holder	
200308	Brake housing right	NON/STOCK
200309	Brake housing left	NON/STOCK
200310	Brake right complete	
200311	Brake left complete	
200323	Sensor wheel bush	
200324	Brake lever metal bush	NON/STOCK
200326	Brake adjustment bolt	NON/STOCK
200336	Lock nut	
200337	Countersunk head bolt m5x16	
200338	Bolt m5x30	
200339	Countersunk head bolt m5x40	
200340	Spring	NON/STOCK
200341	Bolt m5x30	
200342	Bolt m5x35	NON/STOCK
200344	Spring	
200345	Brake spring	

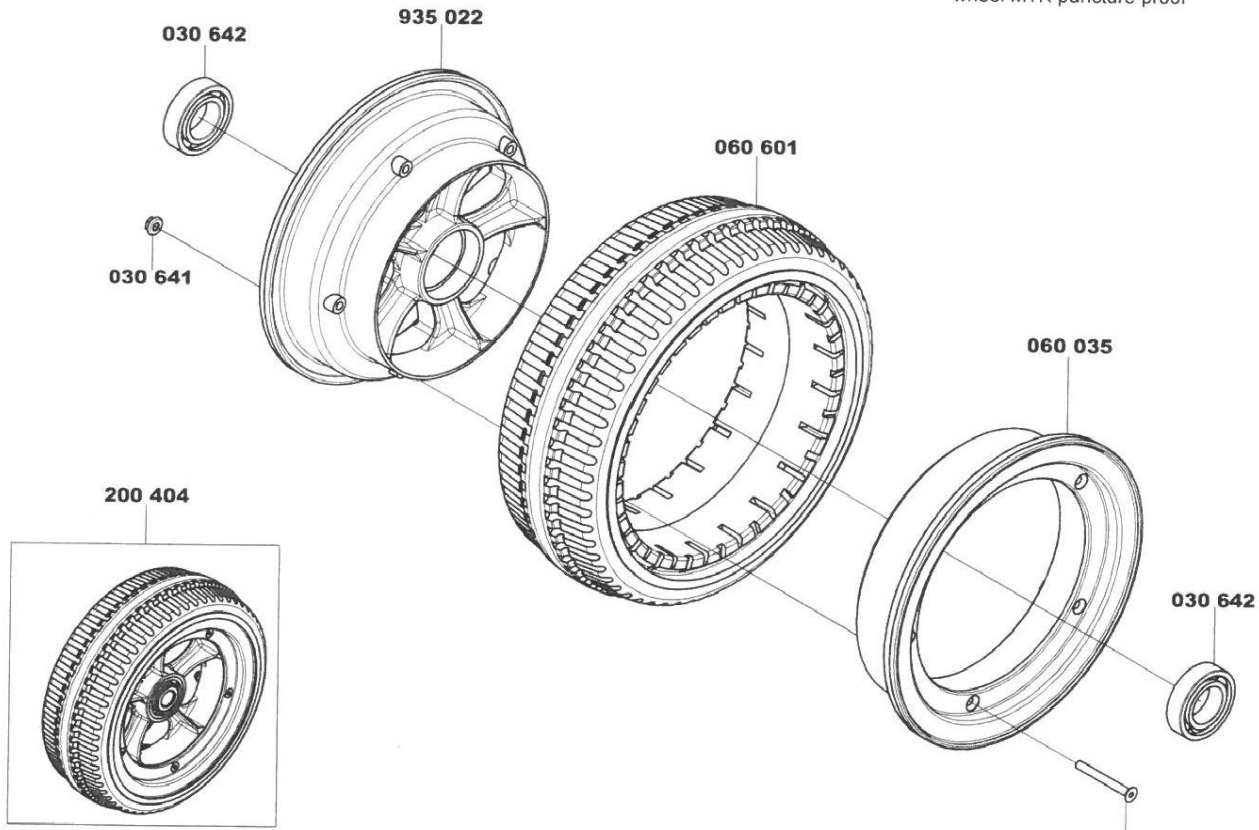
BRAKE KIT COMPLETE (TO FIT MTK WITH NO BRAKES eg: MTK190)		
PART NUMBER	DESCRIPTION	NOTES
100533	Brake kit (includes 200310 & 200311)	
200290	Spacer ring (2 in 100533)	
200295	Flanged wheel shaft (2 in 100533)	
200190	Wheel Bolt (long) (2 in 100533)	



PART NUMBER	DESCRIPTION	NOTES
030638	Mushroom head bolt	
030640	Hubcap	
030641	Flanged nut	
030642	Wheel bearing	
030651	Inner tube	
030652	Valve cap	
200014	Spacer ring (without brakes)	
200015	Wheel shaft (without brakes)	
200051	Hub outer red	
200061	Hub inner red	
200144	Wheel bolt short (without brakes)	
200190	Wheel bolt long (with brakes)	
200275	PNEUMATIC WHEEL COMPLETE	
200290	Spacer ring (with brakes)	
200295	Flanged wheel shaft (with brakes)	

PUNCTURE PROOF WHEEL (ACCESSORY)

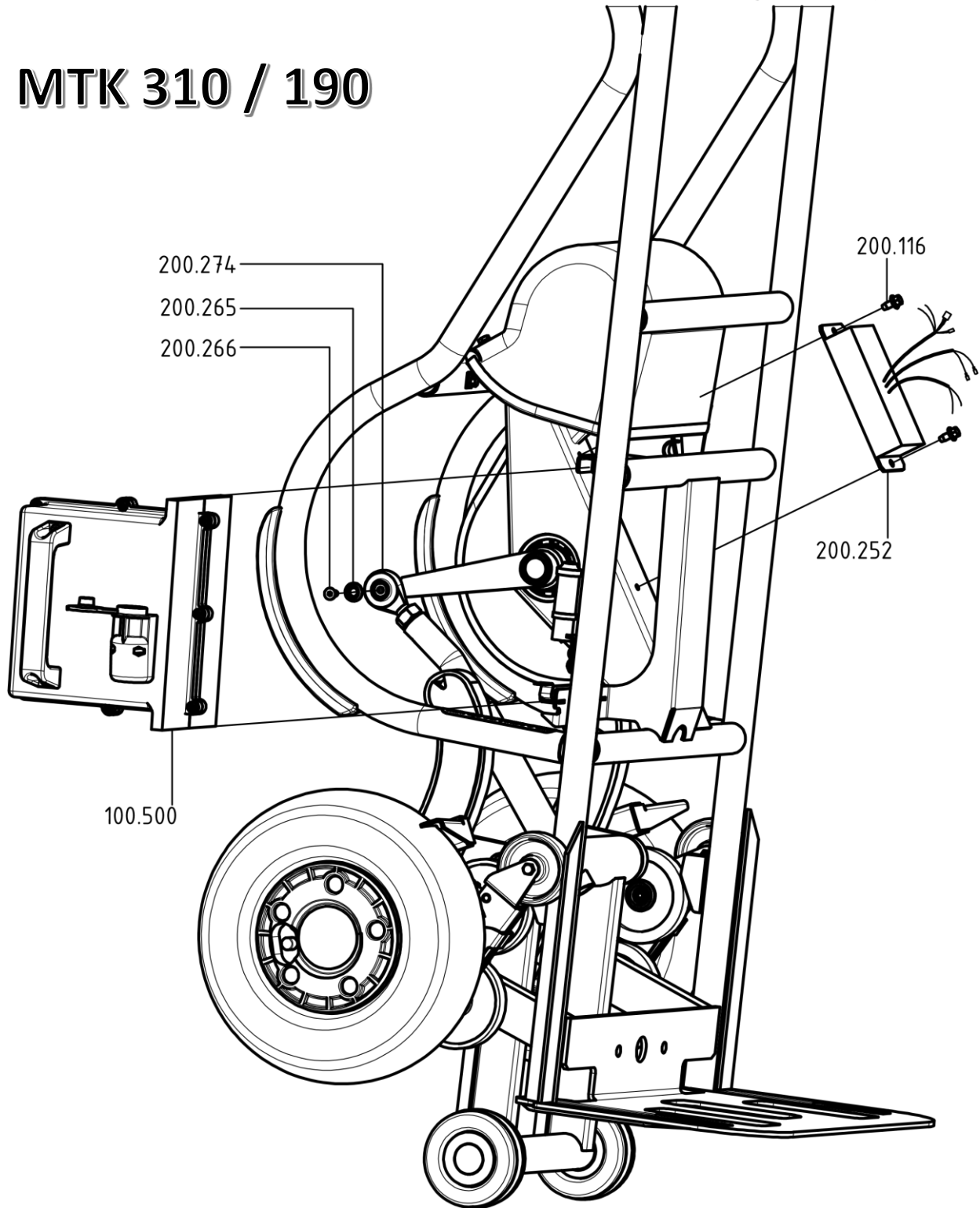
Rad pannensicher MTK
wheel MTK puncture-proof



PART NUMBER	DESCRIPTION	NOTES
200404	PUNCTURE PROOF TYRE (WHEEL) COMPLETE	
030642	WHEEL BEARING (FITS PNEUMATIC & P/PROOF)	
935022	RIM PUNCTURE PROOF (INNER)	
060601	PUNCTURE PROOF TYRE	
060035	WHEEL RIM (OUTER)	NON/STOCK
045611	RIM BOLT	
030641	NUT	

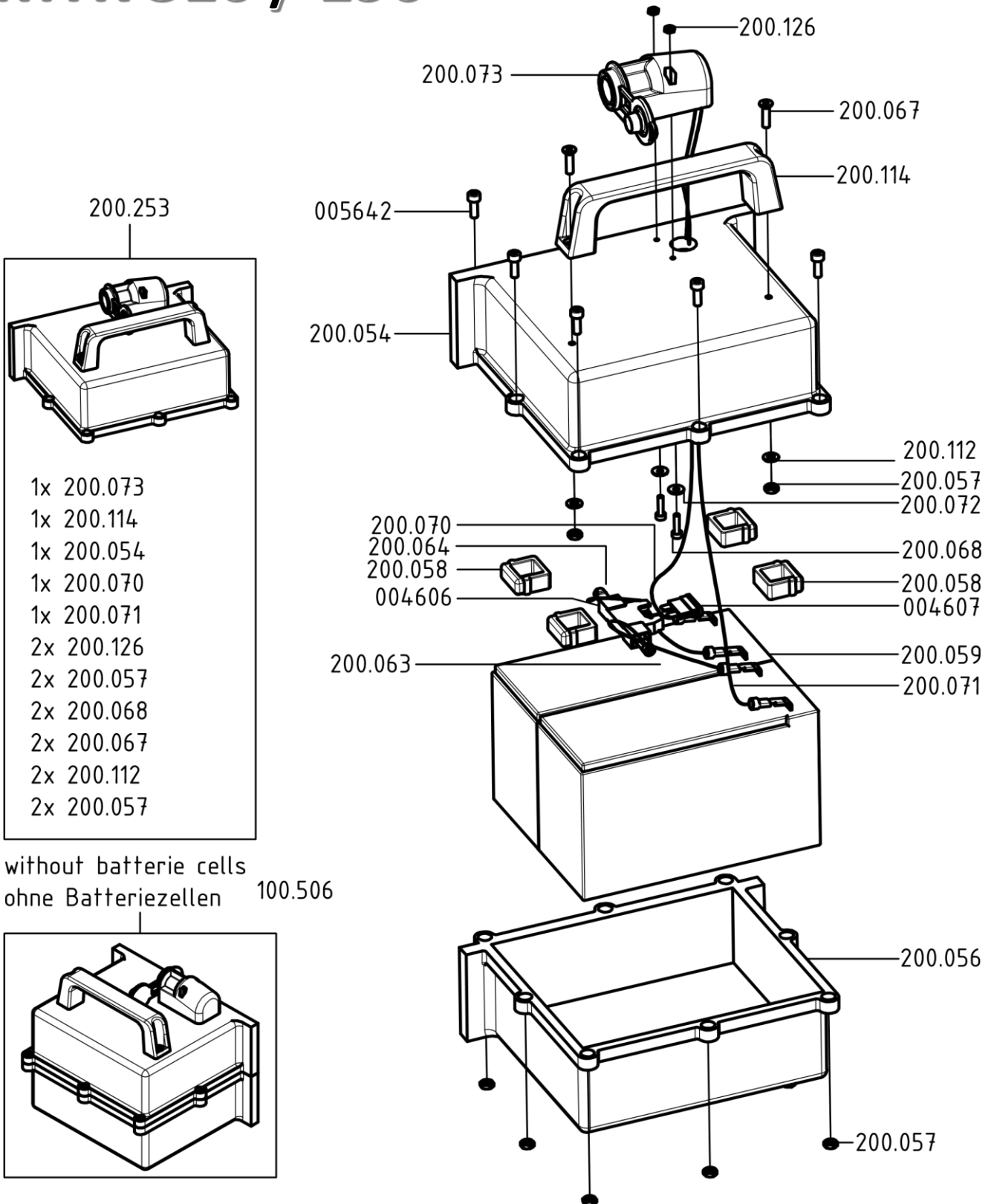
Electronic power switch & Inner frame & Quick change battery pack

MTK 310 / 190



PART NUMBER	DESCRIPTION	NOTES
100500	Quick change battery	
200116	Screw	
200252	Electronic power switch	
200265	Shaped disc	
200266	Countersunk (Crankshaft) screw	
200274	Inner frame complete	

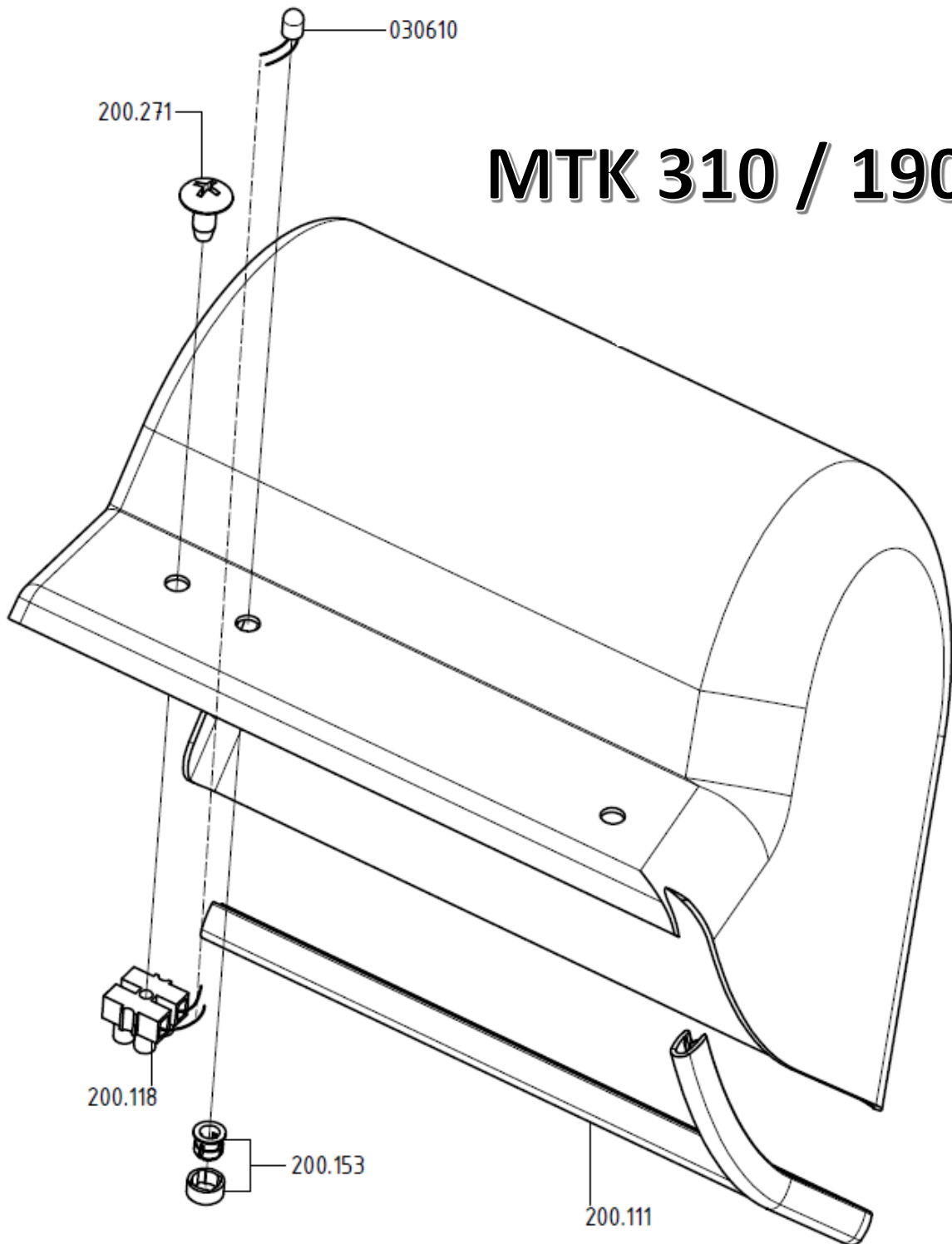
MTK 310 / 190



Quick Change Battery Parts:

PART NUMBER	DESCRIPTION	NOTES
004606	Fuse holder	
004607	Fuse 30A	
005642	Screw m4x14	
100500	Quick change battery	
100506	Battery pack complete without cells	
200054	Battery cover upper	
200055/200056	Battery cover lower	
200057	Nut m4	
200058	Battery box grommet	
200059	Battery cell 12V 7Ah	
200063	Red pwr. cable (to fuse)	NON/STOCK
200064	Black pwr. cable (to fuse)	NON/STOCK
200067	Screw m4x16	
200068	Screw m3x12 (batt-plug)	
200070	Red cable pwr. (batt to plug)	NON/STOCK
200071	Black pwr. cable (batt to plug)	NON/STOCK
200072	Washer (batt-plug)	
200073	Plug socket	
200112	Washer	
200114	Handle	
200126	Nut m3 (batt-plug)	
200253	Battery cover upper complete	

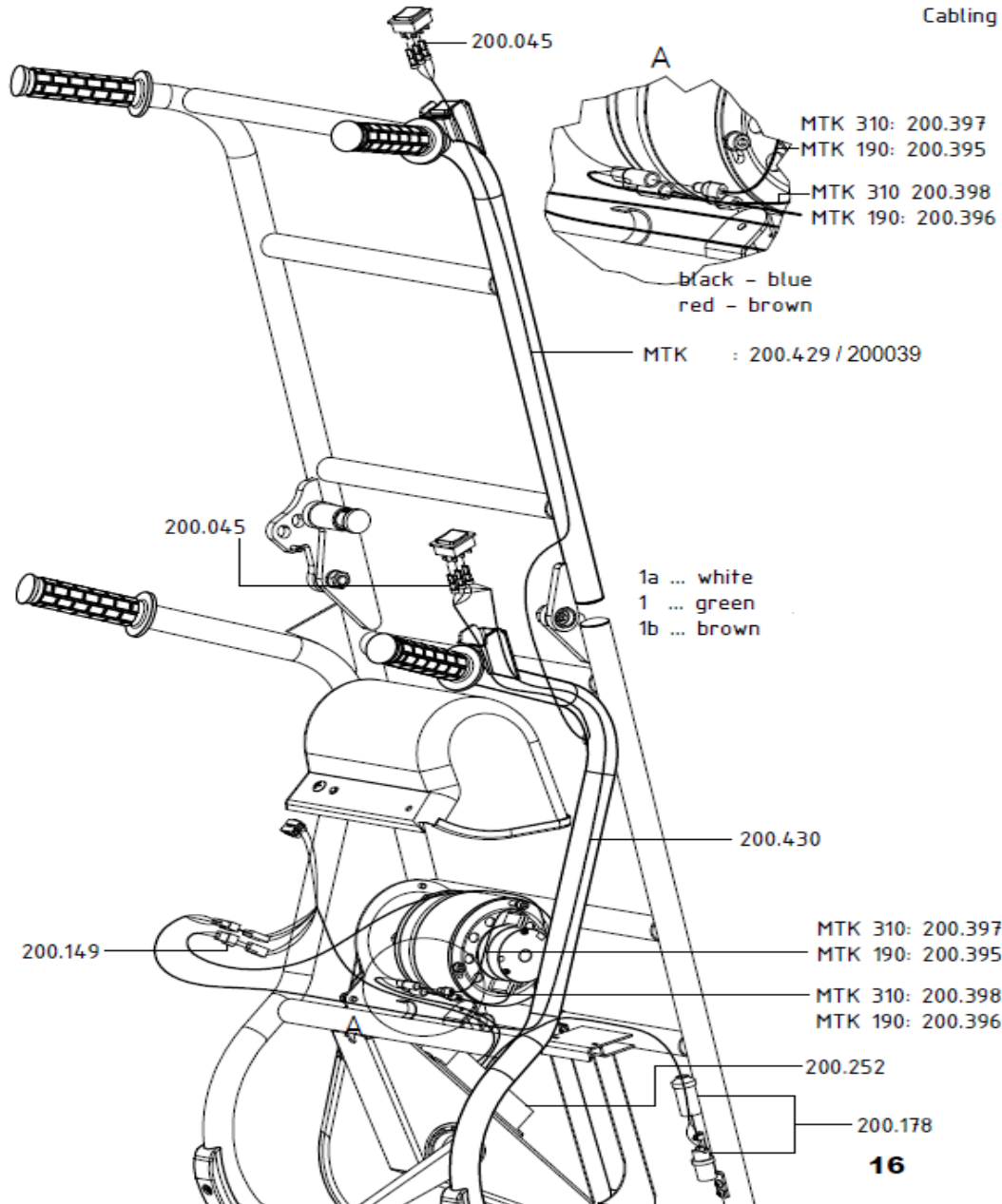
MTK 310 / 190



PART NUMBER	DESCRIPTION	NOTES
030610	LED Red/ green	
200111	Edge protection	NON/STOCK
200118	Terminal Block	NON/STOCK
200153	LED Clamp	NON/STOCK
200254	Motor cover complete	
200271	Screw with washer	NON/STOCK

HARNESSES / CABLING

MTK 310 / 190



PART NUMBER	DESCRIPTION	NOTES
200045	Blade Terminal	NON/STOCK
200149	Plug motor brake	NON/STOCK
200178	Plug (to battery)	
200395	Cable for motor 190 (black)	NON/STOCK
200396	Cable for motor 190 (red)	NON/STOCK
200397	Cable for motor 310 (black)	NON/STOCK
200398	Cable for motor 310 (red)	NON/STOCK
200429 / 200039	Steering cable / upper handle cable	
200430	Cable harness main frame	
200252	Electronic Power Switch	

MTK Motors

PART NUMBER	DESCRIPTION	NOTES
200173	MTK 190 MOTOR	
200264	MTK 310 MOTOR	

MTK Models and accessories:

PART NUMBER	DESCRIPTION	NOTES
100118	LIFTKAR MTK 310-B	
100119	LIFTKAR 190	
100500	QUICK CHANGE BATTERY	
100501	BATTERY CHARGER	
200241	CHARGER LEAD & PLUG (CHARGER TO BATTERY)	
100503	STRAP SB 3.5M	
100502	INTRANSIT CHARGER	
100533	BRAKE KIT (TO UPGRADE 190)	
100516	TOE PLATE ATTACHMENT SA-LF 400MM	
100513	TOE PLATE ATTACHMENT SA-LF 500MM	
100526	ATTACHMENT FOR BARRELLS/ CYLINDERS	NON/STOCK
100557	TOEPLATE B 700mm x D 190mm + CLIP	NON/STOCK
100559	TOEPLATE B 590mm x D 300mm + CLIP	
100560	TOEPLATE B 800mm x D 190mm + CLIP	
100567	TOEPLATE B 1000mm x D 300mm + CLIP	
200369	TOEPLATE REPLACEMENT "R" CLIP	
200404	PUNCTURE PROOF TYRES (EACH)	
100582	PUNCTURE PROOF TYRES COMPLETE KIT	

REVISIONS:

- V2.0 Pt. No: Inner tube 200001 now Pt. no: 030651
- V2.0 Pt No's: 010615 & 010626 as alternatives to 200364 Bearing added.
- V2.1 Pt. No: 200430 Cable harness with plug added to parts list.
- V2.2 Pt. No's: 200290 & 200295 descriptions changed.
- V3.0 New version of parts manual edited from Austrian copy.
- V3.1 Charger cable added to accessories list

SANO Transportgeraete GmbH
Am Holzpoldlgut 22
4040 Lichtenberg / Linz
Österreich / Austria

Tel.: +43 7239 / 510 10
Fax: +43 7239 / 510 10-14
office@sano.at

www.sano.at

SANO Deutschland GmbH
Geigelsteinstraße 10
83080 Oberaudorf
Deutschland / Germany

Tel.: +49 8033 / 308 96-0
Fax: +49 8033 / 308 96-17
info@sano-treppensteiger.de

www.sano-treppensteiger.de

SANO UK Powered Stairclimbers Ltd.
Bristol Court, Betts Avenue
Martlesham Heath
Ipswich, Suffolk / IP5 3RY, England

Tel.: +44 1473 / 333 889
Fax: +44 1473 / 333 742
info@liftkardirect.com

www.liftkardirect.co.uk

REVISED 6th March 2020 by Aaron Artiss, Service Manager UK Powered Stairclimbers Ltd.

*This parts manual cannot be reproduced in part or in full without prior written permission from SANO UK.
However un-modified copies can be printed off for own use.

Version MTKCWSMv3.1